

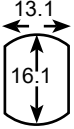

LF0201

8mm

Conical face

Nut fix

801-1000 series
Silca key blank LF30R



LF0207

8mm

Square face

Nut fix

801-1000 series
Silca key blank LF30R

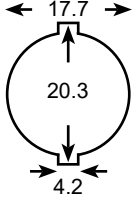

LF1320

9.5mm

Conical face

Horse shoe clip fix

92 series
Silca key blank LF4

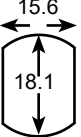

LFF523

9.5mm mini camlock with hooked cam

Round face

E-clip fix

FH series non-mastered
Silca key blank LS13

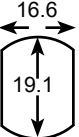

LF1461

11mm

Round face

Nut fix

95/96 series
Silca key blank LF2

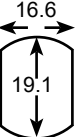

LF1361

11mm

Round face

Nut fix

92 series
Silca key blank LF4

LF5101

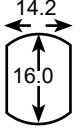

13mm

Conical face

Nut fix

Cam nut retained

75 series
Silca key blank LF54

LF5102

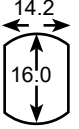

13mm

Conical face

Nut fix

Cam circlip retained

75 series
Silca key blank LF54

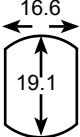

LF1432

16mm

Round face

Nut fix

95/96 series
Silca key blank LF2

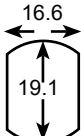

LF1434

16mm

Square face

Nut fix

95/96 series
Silca key blank LF2

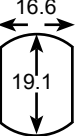

LF1339

20mm

Square face

Snap in fix

92 series
Silca key blank LF4

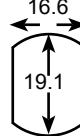

LF1438

20mm

Conical face

Snap in fix

95/96 series
Silca key blank LF2

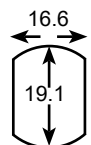

LF1439

20mm

Square face

Snap in fix

95/96 series
Silca key blank LF2

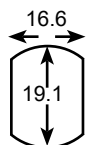

LF1443

20mm

Conical face

Horse shoe fix

95/96 series
Silca key blank LF2

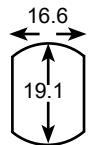

LF1445

20mm

Square face

Nut fix

95/96 series
Silca key blank LF2

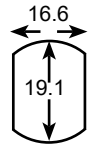




LF1436 012

20mm Non MK
Non DNOC
Round face

Nut fix

95/96 series
Silca key blank LF2

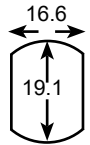




LF1436

20mm
"Popular model"
Round face

Nut fix

95/96 series
Silca key blank LF2

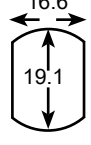

LF 1336

20mm

Round face

Nut fix

92 series
Silca key blank LF4

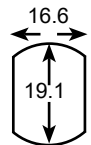

LF4201

20mm

Square face

Nut fix

25/27 series
Silca key blank EU5R

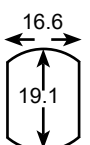

LF0801

20mm

Square face

Nut fix


45/47 series
Silca key blank EU1R

LFF201

20mm
For Alubox
post boxes
Square face
Horse shoe fix

9000 series
Silca key blank LF23R

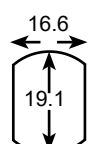

LF2105

20mm

Conical face

Nut fix

66/68 series
Silca key blank LF19

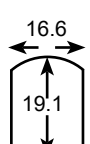

LF2131

20mm

Conical face

Nut fix

81/83 series
Silca key blank LF19

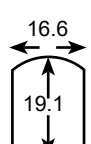

LF2139

20mm

Conical face

Nut fix


85/87 series
Silca key blank LF19


LF1440
 22mm
 Round face
 Nut fix
 95/96 series
 Silca key blank LF2



LF1441
 27mm
 Round face
 Nut fix
 95/96 series
 Silca key blank LF2



LF1342
 32mm
 Round face
 Nut fix
 92 series
 Silca key blank LF4



LF4902
 12mm
 Radial pin tumbler
 Conical face
 Nut fix
 37 series non MK
 Silca key blank CH9T



LF4303
 18mm
 Radial pin tumbler
 Conical face
 Nut fix
 28 series non MK
 Silca key blank CH9T



LF4322
 21.2mm
 Radial pin tumbler
 Flat face
 Nut fix
 28 series non MK
 Silca key blank CH9T



LF4304
 22.7mm
 Radial pin tumbler
 Conical face
 Nut fix
 31 series non MK
 Silca key blank CH9T



LF4314
 30mm
 Radial pin tumbler
 Conical face
 Nut fix
 28 series non MK
 Silca key blank CH9T



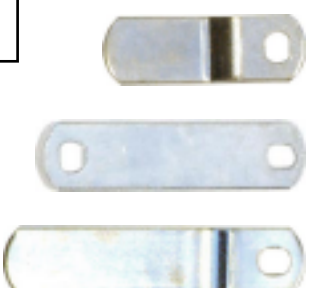
VERY IMPORTANT!
 Cam locks are generally supplied with straight cams.
 Bent or cranked cams are available as spare parts.
 Cam locks complete with bent or custom cams can be ordered as a special order from our sales department but with a 4 - 8 week delivery.

LF4302
 18mm
 Radial pin tumbler
 Push lock
 For vending machines
 28 series non MK
 Silca key blank CH9T



Cam locks are generally supplied D.N.O.C. which stands for "differ number on cap". This is where the key code is stamped on the face of the lock. Also the majority of our stock is supplied under a master key, MK for short.
 For more secure applications non MK and non DNOC locks should be used.
 RPT locks are non master keyed and non DNOC as standard.

LF CAMS (RPT)
 Spare cams for R.P.T.
 (radial pin tumbler)
 Oval cut out in cam
 Various lengths



LFNUTS

Spare nuts for standard cam locks



LF5817

Pedestal lock
Horizontal operation
32mm actuator
19mm diameter fixing hole



Silca key blank LF45R

LF5851

Pedestal lock
Horizontal operation
45mm actuator
16.5mm diameter fixing hole
Single flange (1 ear)



Silca key blank LF45R

LF5840 532X32

Pedestal lock
Vertical operation
32mm actuator

16.5mm diameter fixing hole
18 series
Silca key blank LF45R



LF5840 532

Pedestal lock
Vertical operation
45mm actuator

16.5mm diameter fixing hole
18 series
Silca key blank LF45R



LF5656

Pedestal lock
Fixed (peg leg) actuator for anti tilt mechanism
16.5mm diameter fixing hole

35 series
Silca key blank LF45R



LF5841 532X32

Pedestal lock
Horizontal operation
32mm actuator

16.5mm diameter fixing hole
18 series
Silca key blank LF45R



LF5841 532

Pedestal lock
Horizontal operation
45mm actuator

16.5mm diameter fixing hole
18 series
Silca key blank LF45R



LF5659

Pedestal lock
Fixed (peg leg) actuator for anti tilt mechanism
16.5mm diameter fixing hole

Single flange (1 ear)
35 series
Silca key blank LF45R



LF5611

Tambour lock
Horizontal operation

16.5mm diameter fixing hole

Silca key blank LF45R



RONPED1EAR

Ronis pedestal lock
16.5 mm fixing hole

Single flange (1 ear)

FM series master keyed

Silca key blank LS14



LF CAMS BENT

Spare cranked cam
50mm with 4.8mm offset

8 position indexable cam



LF5804

Pedestal lock
Horse shoe clip fixing

13mm diameter fixing hole

18 series
Silca key blank LF45R



RON SQ PED

Pedestal lock
Horse shoe clip fixing

13mm diameter fixing hole

FM series (MK)
Silca key blank LS14



LFB568

Pedestal lock

Snap in fixing

Fixed actuator

92 series
Silca key blank LF4



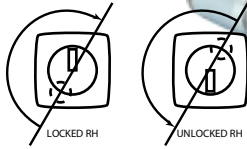
LF1346 532

Filing cabinet lock RH
Snap in fixing

Roller cam

92 series

Silca key blank LF4



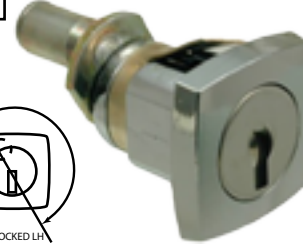
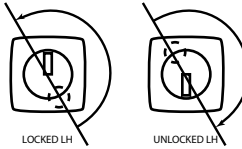
LF1346 542

Filing cabinet lock LH
Snap in fixing

Roller cam

92 series

Silca key blank LF4



RON FEMALE

Pedestal lock

Snap in fixing

Female barbed actuator

KT series

Silca blank LS11 LS11R



LFB565

Pedestal lock

Nut fixing

Roller actuator

25/27 series
Silca key blank EU5R



LF2201

Flat steel locker lock

6.7mm turret

ZA series

RST key blank 84



LF2216

6 lever pin locker lock

5.5mm turret

40 series

RST key blank 78 X 8



LF2207

Flat steel locker lock

17mm turret

ZG series

RST key blank 101



LF2210

Flat steel locker lock

23.3mm turret

ZL series

RST key blank 82



LF2211

Flat steel locker lock

29.6mm turret

RST key blank 82



HAF RECEIVER

Metal receiver suitable for most makes of cabinet locks

40mm x 13mm x 13mm



LF5870

Round cupboard lock

16.3mm fixing hole
25mm turret

7mm bolt throw
18 series
Silca key blank LF45R



LF5875

Round cupboard lock

16.3mm fixing hole
25mm turret

14mm bolt throw
18 series
Silca key blank LF45R



LF5865

Square cupboard lock

16.3mm fixing hole
19mm turret

9mm bolt throw
18 series
Silca key blank LF45R



LF5864

Square cupboard lock

16.3mm fixing hole
25mm turret

9mm bolt throw
18 series
Silca key blank LF45R



LF5956

Square cupboard lock

18.7mm fixing hole
22mm turret off-set

9mm bolt throw
18 series
Silca key blank LF45R



LF5883

Square cupboard lock
Slam shut
16.3mm fixing hole
19mm turret

9mm bolt throw
18 series
Silca key blank LF45R



LF5880

Triangular cupboard lock

22mm fixing hole
22mm turret

9mm bolt throw
18 series
Silca key blank LF45R



LF0269

Cam lock for hinged glass doors

801-1000 series

Silca key blank LF30R



LF5862

Push lock for sliding doors

19mm bore

18 series
Silca key blank LF45R



LF5860

Push lock for sliding doors

22mm bore

18 series
Silca key blank LF45R



LF5886

Push lock for sliding glass doors

18 series
Silca key blank LF45R



LF5703

Push-to-turn latchlock in bright chrome

20mm nut fixing

Locks with a padlock that has a shackle diameter of 5-7mm

**LF4441**

Latch lock (heavy duty) padlockable camlock

20mm heavy duty

Locks with a padlock that has a shackle diameter of 5-7mm

**LF4463**

Latch lock padlockable camlock

20mm heavy duty

Locks with a padlock that has a shackle diameter of 5-7mm

**LFA199**

20mm combination cam lock

Master key for over-ride and combination reset

**158KC45**

Master-keyed 4 wheel combination lock with security over-ride key (sold separately)
45mm body
Lost code can be reset
Ideal for school lockers

**78MK507**

3 digit fixed code traditional dial combination lock
High protection against manipulation

With over-ride master key (sold separately)

**RONLATCH**

Latch lock 20mm

Padlocking

Economical price point

**RONLATCHB**

Latch lock 20mm

Padlocking

Matt chrome

**RONLATCHC**

Latch lock 32mm

Padlocking

Bright chrome

Heavy duty

**LF80054**

Budget lock key

8mm triangle female

For use with spanner or budget locks

**LF80115**

Budget lock key

8mm triangle female

For use with spanner or budget locks

**LF9304671**

Budget lock key long

7mm square female

For use with spanner or budget locks



LF0011

16.1mm body cam lock

IP65 rated

Nut fix

5mm double barb key
sold separately**LF0012**

16.1mm body cam lock

IP65 rated

Nut fix

7mm square key sold
separately**LF0013**

16.1mm body cam lock

IP65 rated

Nut fix

8mm triangular key sold
separately**LFC073**20mm body cam lock for
enclosures using
19.1mm x 16.1mm
double D fixing hole
Nut fix6mm square key sold
separately**LF0025**16.1mm body locking
wing handle lock

Nut fix

92 series
Silca key blank LF4**LF2603**20mm body locking wing
handle lock

Nut fix

801-900 series
Silca key blank LF30R**LFF48**

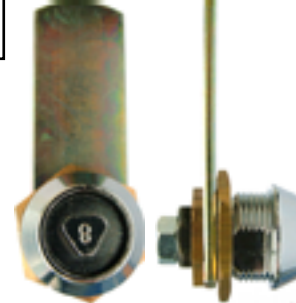
11mm body cam lock

Nut fix

8mm triangular key sold
separately**LFB51**

16.1mm body cam lock

Nut fix

8mm triangular key sold
separately**LFB576**

20mm body cam lock

Spring loaded hooked
cam
Nut fix8mm triangular key sold
separately**LF9304 672**

Budget lock key long

3mm twin barb

For use with spanner or
budget locks**LF9304 670**

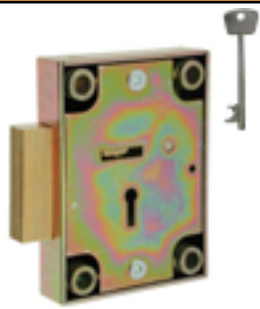
Budget lock key long

5mm twin barb

For use with spanner or
budget locksMost Lowe & Fletcher product stocked by us is
master keyed (M.K.).Non master keyed is generally used for more secure
applications.To help distinguish between both types look into the
keyway and if there is a step in any of the wafers
the lock is master keyed.

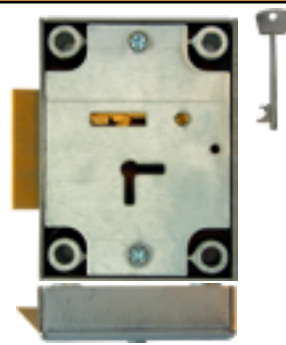
LF2802

7 lever safe lock
 Bolt shoots to left
 Vertical orientation
 RST key blank 360M



LF2802SLAM

7 lever safe lock
 Bolt springs to left
 Vertical orientation
 RST key blank 360M



LF3006

7 lever safe lock
 Bolt shoots to left
 Horizontal orientation
 RST key blank 360M



DRUG7L

7 lever drug cabinet lock
 with fixing flanges and
 nozzle
 Bolt shoots to left
 Vertical orientation
 RST key blank 360M



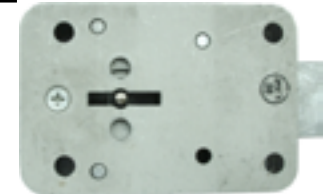
SECALSTUVMP

Stuv safe lock for
 Securikey Minor
 Protector safes
 3 fixing holes
 RST key blank 7410



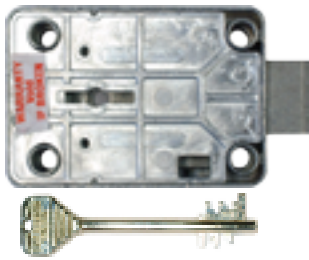
SECSTUVMVFR

Stuv safe lock for
 Securikey fire resistant
 Minivault safes



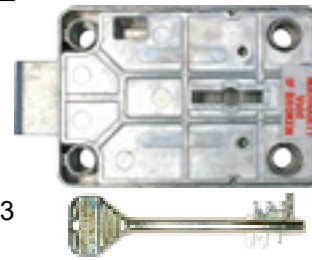
LF3012LH

8 lever safe lock
 Double bitted pin key
 Left hand
 L&F key blank LF8100013



LF3012RH

8 lever safe lock
 Double bitted pin key
 Right hand
 L&F key blank LF8100013



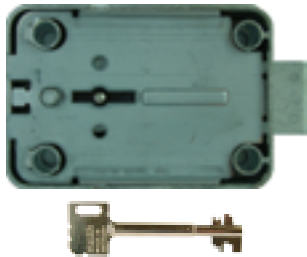
DOMPUSH

Dom oval push lock
 for filing cabinet
 Female thread
 for acuator



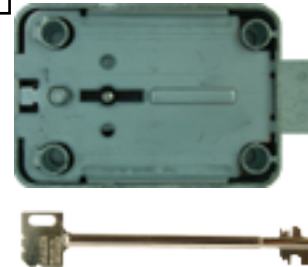
MAUER71111

8 lever Mauer President
 VdS class 1 safe lock
 280,000 differs
 Mauer key blank
 MAUER 90MM



MAUER71111-150MM

8 lever Mauer President
 VdS class 1 safe lock
 280,000 differs
 Mauer key blank
 MAUER 150MM



MAUER70079

11 lever Mauer Praetor
 VdS class 2 safe lock
 2 million differs
 RST key blank 7418/120



RON 4950

9.5mm cam lock

Plastic body

Push in fit

Hook cam



1031

Viro economy 16mm cam lock



RON TROLLEY

Ronis trolley lock

Usually used for shopping trolleys but can be used to ensure return of other items

Token or coin operated

Available to fix on to a bar from 24mm to 32mm

Metal housing and mechanism

Starter chain and tokens sold separately



LF7005201

Spiked washer for fitting camlocks to round holes in wood



When talking about movements in cam locks the clock is used, eg. 12 o'clock to 3 o'clock is a 90° turn clockwise. Most cam locks in our stock use this movement. If however you need the locking cam to travel 180°, some locks allow you to remove the cam and core and a small component will fall out, with this removed the lock will now turn 180°. We call this piece the "toe nail".



LF1601512

"T" handle lock for metal cabinets with three point locking



92 series
Silca key blank LF4

LF1601TH

"T" handle lock for metal cabinets with threaded spindle



92 series
Silca key blank LF4

LF1605

Black knob lock for metal cabinets with three point locking



92 series
Silca key blank LF4

LF1613514

Garage door replacement lock

Diamond actuator



Silca key blank LF4

LF1616514

Garage door replacement lock

Square actuator



Silca key blank LF4

LF1685030

HS2000 garage door lock

Half euro cylinder operation

